



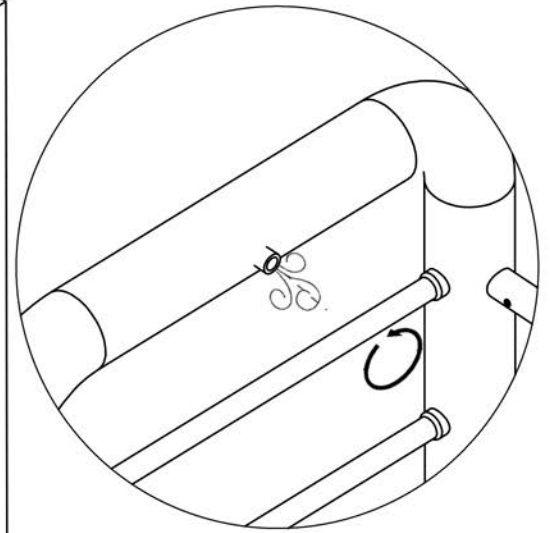
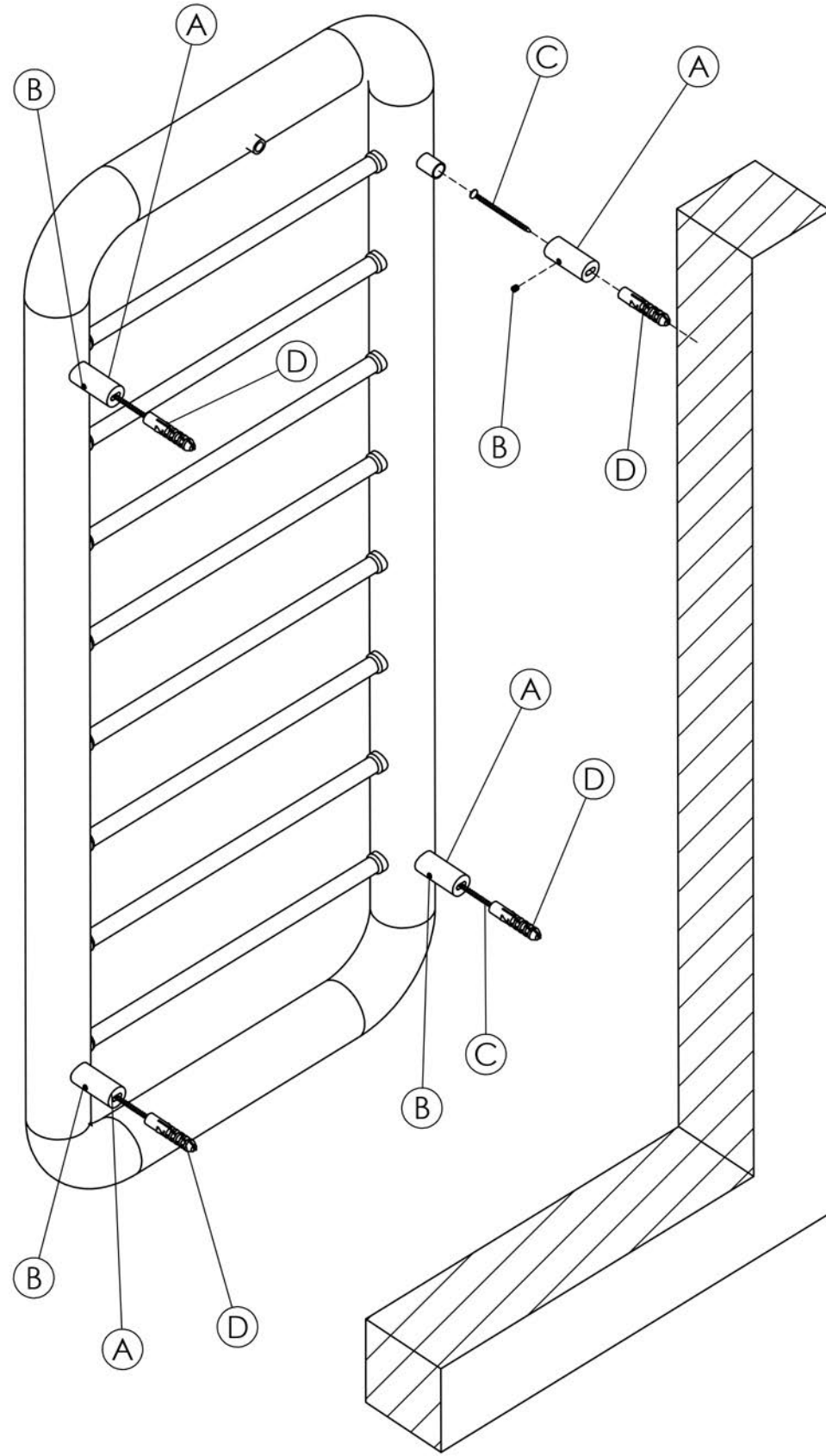


Key	Component	Qty
	<b>A</b> Round Wall	<b>4</b>
	<b>B</b> Stud	<b>4</b>
	<b>C</b> Screw-5,5x45mm	<b>4</b>
	<b>D</b> Wall Plug	<b>4</b>



### Assembly Instructions

Use bleeding valve key to turn bleeding valve on final installation.

Accurately mark out bracket holes on wall using spirit level.

Drill four 8mm hole for each brackets (A).

Screw brackets (A) into wall plugs (D) with 5,5mm diameter x 45mm screws (C).

Hang radiator by centering the studs into the brackets (A).

Secure the stud with the grub screw (B) after setting wall distance.