

## Assembly Instructions

First, take off the top grill (D) and then remove the outer case (E) screw off and take off the outer case (E) from bottom hooks carefully and put another safe place.

Inner case (C) is assembled on the wall, please mark four holes on the wall according to pear shape holes on the back of inner case (C).





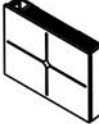
Drill marked holes and put the wall plugs (B) into the holes.

Set the inner case (C) to the straight position using by pear shape holes and screw (A) inner case (C). You can keep 2-3 mm gap between wall and screw (A) head to hang inner case (C) easily.

After this wall mounting, you can make pipe connection first and then finally please connect thermostat cable socket which is between inner case (C) and outer case (E).

Plug in the electric,

PS: We kindly suggest you for a ideal assembly to ask for professional help.

Key	Component	Qty
 A	Screw	4
 B	Wall Plug	4
 C	Inner Case	
 D	Grill	
 E	Outer Case	

