

# BARO



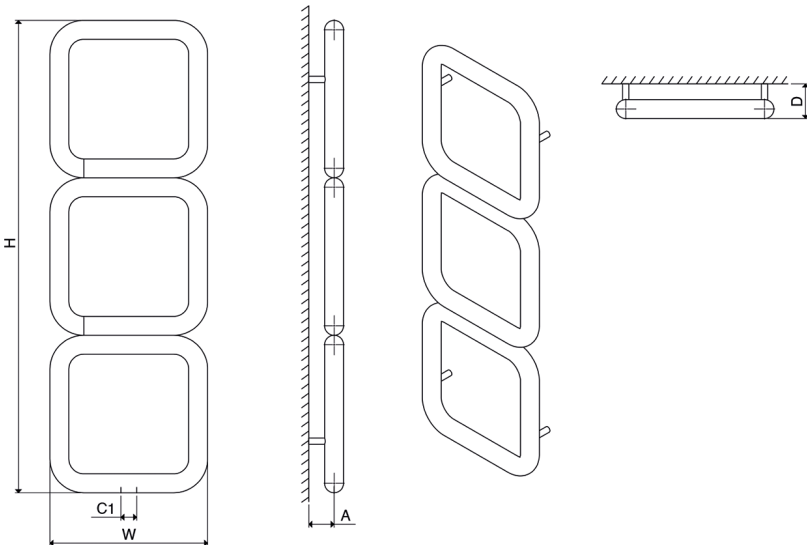
# BARO

Material	Stock Finishes	Guarantee	Installation
Stainless Steel	<a href="#">PLS SEE COLOUR KEY CHART - Click for Link</a>	20 Years	Vertical

PRODUCT CODE	Height (mm) H	Width (mm) W	Sections n	Pipe Centers (mm) C1	Wall to pipe Centers A (mm)	Wall Distance D (mm)	Nett Weight (kg)	Water Content (lt)	Fuel Type	Heat Outputs	
										Watts	BTU
BAR 0500050001	500	500	1	50	80-95	110-125	4.3	3.2	C	343	1170
BAR 0500100002	1000	500	2	50	80-95	110-125	8.7	6.5	C	690	2356
BAR 0500150003	1500	500	3	50	80-95	110-125	13.0	10	C	1043	3558

Please add finishing code at the end of the product code **Code example : BAR 0500100002 STP**

Fuel type i.e  
 C: Central Heating  
 E: Electrical Heating  
 D: Dual Heating (C+E)



A full range of made to order sizes available.

Please ask for details.

n = number of sections

Max. working pressure 10 bar

Max. working temperature 95 °C

Connections 1/2"

Pipe centers C1 50mm