

ECLIPSE



ECLIPSE

Material	Stock Finishes	Guarantee	Installation
Stainless Steel	PLS SEE COLOUR KEY CHART - Click for Link	20 Years	Vertical

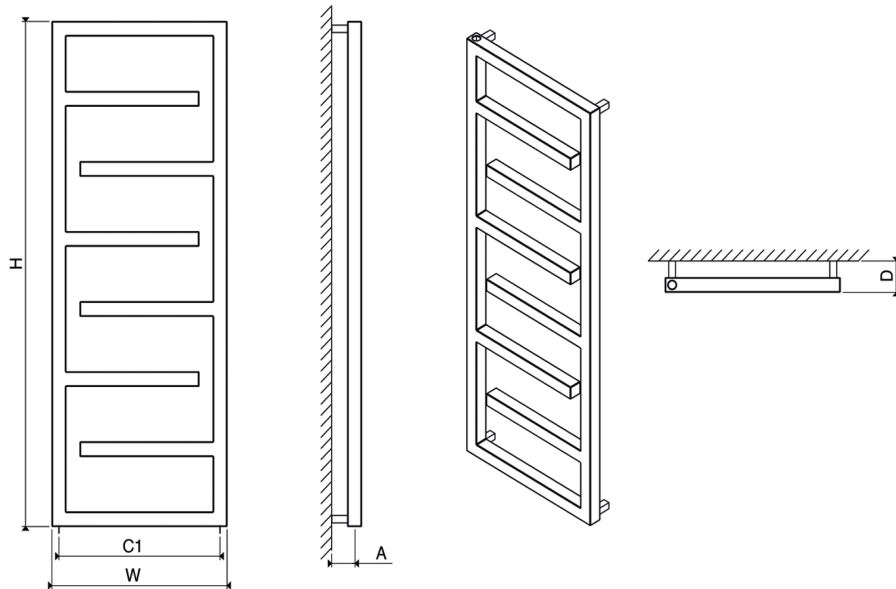
PRODUCT CODE	Height (mm)	Width (mm)	Sections	Pipe Centers (mm)	Wall to pipe Centers	Wall Distance	Nett Weight	Water Content	Fuel Type	Heat Outputs	
	H	W	n	C1	A (mm)	D (mm)	(kg)	(lt)		Watts	BTU
ECL 0500088003	880	500	3	460	65-80	85-100	6.6	5.1	D	447	1526
ECL 0500137006	1370	500	6	460	65-80	85-100	18.3	13.9	D	1230	4197

Please add finishing code
at the end of the product code

Code example : ECL 0500088003 **STP**

Fuel type i.e

C: Central Heating
E: Electrical Heating
D: Dual Heating (C+E)



A full range of made to order sizes available.

Please ask for details.

n = number of sections

Max. working pressure

10 bar

Max. working temperature

95 °C

Connections

1/2"

Pipe centers

C1 W-40mm