

MACK BATH HORIZONTAL



MACK BATH HORIZONTAL

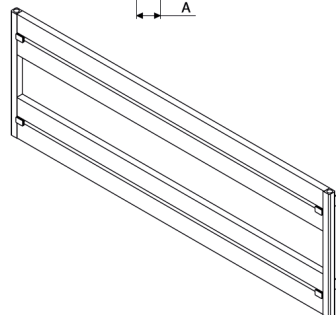
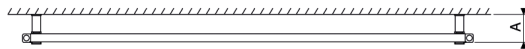
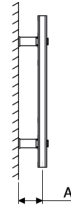
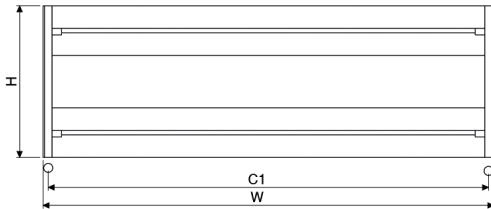
| Material | Stock Finishes | Guarantee | Installation |
|-----------|---|-----------|--------------|
| Aluminium | PLS SEE COLOUR KEY CHART - Click for Link | 5 Years | Horizontal |

| PRODUCT CODE | Height (mm) H | Width (mm) W | Sections n | Pipe Centers (mm) C1 | Wall to pipe Centers A (mm) | Wall Distance D (mm) | Nett Weight (kg) | Water Content (lt) | Fuel Type | Heat Outputs | |
|----------------|------------------|-----------------|---------------|-------------------------|--------------------------------|-------------------------|---------------------|-----------------------|-----------|--------------|------|
| | | | | | | | | | | Watts | BTU |
| MCB 1500050504 | 505 | 1500 | 4 | 1475 | 79-99 | 93-113 | 7.8 | 0.9 | C | 1027 | 3492 |
| MCB 1800050504 | 505 | 1800 | 4 | 1775 | 79-99 | 93-113 | 12 | 1.3 | C | 1233 | 4191 |

Please add finishing code at the end of the product code

Code example : MCB 1500050504 TXA

Fuel type i.e.,
C: Central heating
E: Electrical heating
D: Dual heating (C+E)



A full range of made to order sizes available.

Please ask for details.

n = number of sections

Max. working pressure

10 bar

Max. working temperature

95 °C

Connections

½"

Section width

75 mm

Section depth

32 mm

Pipe center

C1 W - 25 mm