

MAYA



carisa
designer radiators

MAYA

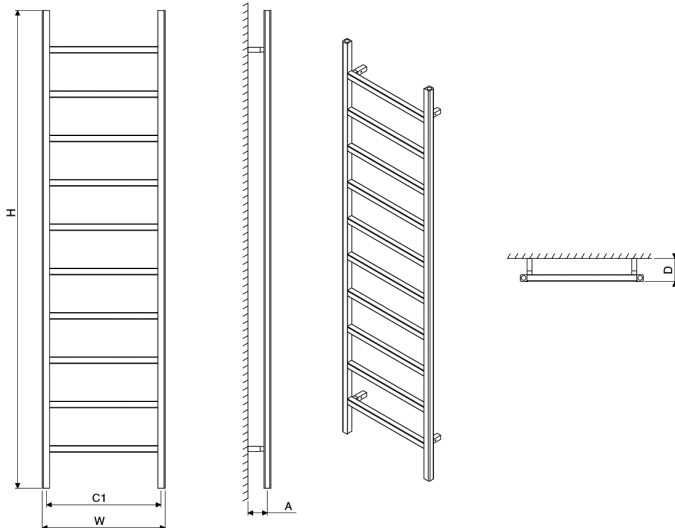
Material	Stock Finishes	Guarantee	Installation
Aluminium	PLS SEE COLOUR KEY CHART - Click for Link	5 Years	Vertical

PRODUCT CODE	Height (mm)	Width (mm)	Sections	Pipe Centers (mm)	Wall to pipe Centers	Wall Distance	Nett Weight	Water Content	Fuel Type	Heat Outputs	
	H	W	n	C1	A (mm)	D (mm)	(kg)	(lt)		Watts	BTU
MAY 0500084004	840	500	4	475	79-99	93-113	3.7	1.0	D	298	1018
MAY 0500120006	1200	500	6	475	79-99	93-113	5.9	1.4	D	448	1527
MAY 0500156008	1560	500	8	475	79-99	93-113	6.5	1.9	D	597	2036
MAY 0500192010	1920	500	10	475	79-99	93-113	8.4	2.8	D	746	2546

Please add finishing code at the end of the product code

Code example : MAY 0500120006 TXB

Fuel type i.e., C: Central heating
E: Electrical heating
D: Dual heating (C+E)



A full range of made to order sizes available.

Please ask for details.

n = number of sections

Max. working pressure 10 bar

Max. working temperature 95 °C

Connections ½"

Section width 27 mm

Section depth 28 mm

Pipe center C1 W - 25 mm