

# MOTION



**carisa**  
designer radiators

# MOTION

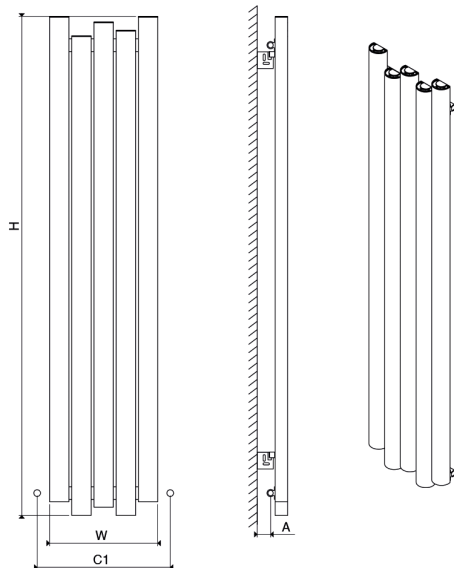
<b>Material</b> Aluminium	<b>Stock Finishes</b> <a href="#">PLS SEE COLOUR KEY CHART - Click for Link</a>	<b>Guarantee</b> 5 Years	<b>Installation</b> Vertical Horizontal
------------------------------	--	-----------------------------	---

PRODUCT CODE	Height (mm)	Width (mm)	Sections	Pipe Centers (mm)	Wall to pipe Centers	Wall Distance	Nett Weight	Water Content	Fuel Type	Heat Outputs	
	H	W	n	C1	A (mm)	D (mm)	(kg)	(lt)		Watts	BTU
MOT 0390180005	1800	390	5	480	30-50	90-110	14.6	2.9	C	2148	7328
MOT 0550180007	1800	550	7	640	30-50	90-110	20.4	4	C	3006	10258
MOT 0630060008	600	630	8	720	30-50	90-110	7.8	1.5	C	1146	3910
MOT 0950060012	600	950	12	1040	30-50	90-110	11.7	2.3	C	1717	5860

Please add finishing code at the end of the product code

**Code example :** MOT 0630060008 TXA

Fuel type i.e C: Central Heating  
E: Electrical Heating  
D: Dual Heating (C+E)



A full range of made to order sizes available.

Please ask for details.

Radiator width for made to order sizes ( n x 80 ) - 10 mm

n = number of sections

Max. working pressure 10 bar

Max. working temperature 95 °C

Connections 1/2"

Section width 70 mm

Section depth 75 mm

Pipe center C1 W + 90 mm