

NILE



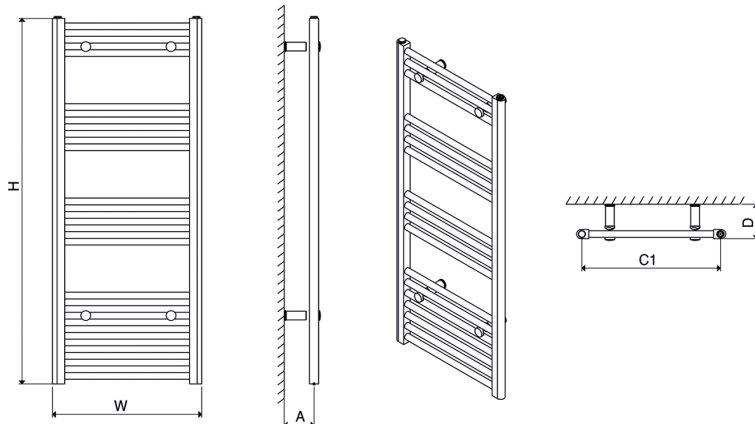
NILE

Material Mild Steel	Stock Finishes PLS SEE COLOUR KEY CHART - Click for Link	Guarantee 5 Years	Installation Vertical
-------------------------------	---	-----------------------------	---------------------------------

PRODUCT CODE	Height (mm) H	Width (mm) W	Sections n	Pipe Centers (mm) C1	Wall to pipe Centers A (mm)	Wall Distance D (mm)	Nett Weight (kg)	Water Content (lt)	Fuel Type	Heat Outputs	
										Watts	BTU
NIL 0400080012	800	400	12	355	70-90	85-105	6.6	-	C	425	1451
NIL 0400120018	1200	400	18	355	70-90	85-105	8.9	-	C	611	2083
NIL 0400160024	1600	400	24	355	70-90	85-105	11.6	-	C	806	2752
NIL 0500080012	800	500	12	455	70-90	85-105	7.6	-	C	503	1716
NIL 0500120018	1200	500	18	455	70-90	85-105	10.2	-	C	721	2457
NIL 0500160024	1600	500	24	455	70-90	85-105	12.9	-	C	951	3244
NIL 0600080012	800	600	12	555	70-90	85-105	8.6	-	C	583	1989
NIL 0600120018	1200	600	18	555	70-90	85-105	13.8	-	C	835	2849
NIL 0600160024	1600	600	24	555	70-90	85-105	14.1	-	C	1103	3763

Please add finishing code at the end of the product code **Code example : NIL 0500080012 CHR**

Fuel type i.e.
C: Central Heating
E: Electrical Heating
D: Dual Heating (C+E)



A full range of made to order sizes available.

Please ask for details.

n = number of sections

Max. working pressure

10 bar

Max. working temperature

95 °C

Connections

½"

Pipe center

C1 W - 45 mm