

PAROS



PAROS

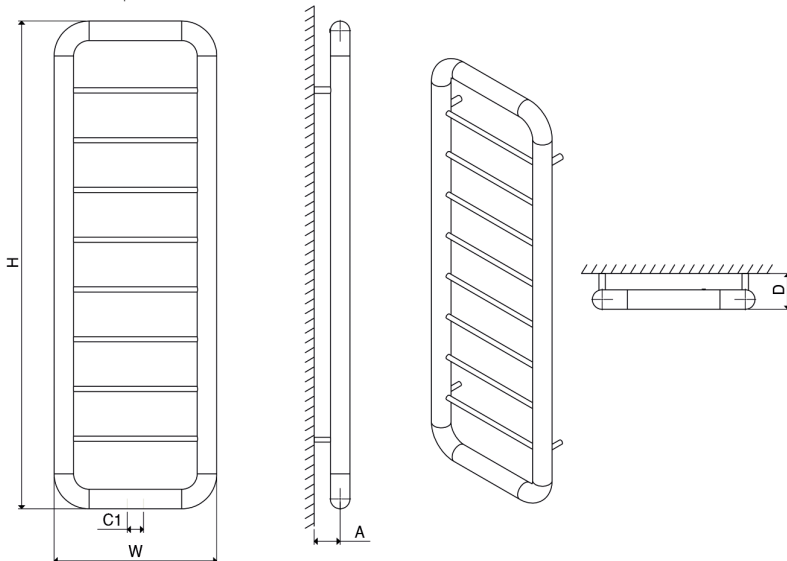
Material	Stock Finishes	Guarantee	Installation
Stainless Steel	PLS SEE COLOUR KEY CHART - Click for Link	20 Years	Vertical

PRODUCT CODE	Height (mm)	Width (mm)	Sections	Pipe Centers (mm)	Wall to pipe Centers	Wall Distance	Nett Weight	Water Content	Fuel Type	Heat Outputs	
	H	W	n	C1	A (mm)	D (mm)	(kg)	(lt)		Watts	BTU
PAR 0500090004	900	500	4	50	80-95	110-125	7.1	6.4	C	479	1636
PAR 0500120006	1200	500	6	50	80-95	110-125	8.2	7.9	C	640	2183
PAR 0500150008	1500	500	8	50	80-95	110-125	9.3	9.6	C	802	2735

Please add finishing code at the end of the product code

Code example : PAR 0500120006 MRP

Fuel type i.e C: Central Heating
E: Electrical Heating
D: Dual Heating (C+E)



A full range of made to order sizes available.

Please ask for details.

n = number of sections

Max. working pressure

10 bar

Max. working temperature

95 °C

Connections

½"

Pipe centers

C1

50mm