

# TALENT



**carisa**  
designer radiators

# TALENT

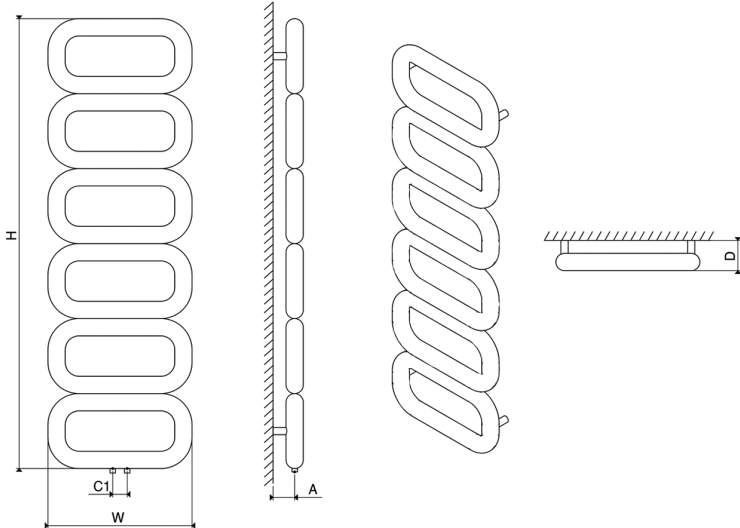
<b>Material</b>	<b>Stock Finishes</b>	<b>Guarantee</b>	<b>Installation</b>
Stainless Steel	<a href="#">PLS SEE COLOUR KEY CHART - Click for Link</a>	20 Years	Vertical

PRODUCT CODE	Height (mm)	Width (mm)	Sections	Pipe Centers (mm)	Wall to pipe Centers	Wall Distance	Nett Weight	Water Content	Fuel Type	Heat Outputs	
	H	W	n	C1	A (mm)	D (mm)	(kg)	(lt)		Watts	BTU
TAL 0500078003	780	500	3	50	80-95	110-125	8.4	34.5	C	459	1566
TAL 0500104004	1040	500	4	50	80-95	110-125	10.9	46.0	C	612	2087
TAL 0500130005	1300	500	5	50	80-95	110-125	13.4	57.5	C	765	2609
TAL 0500156006	1560	500	6	50	80-95	110-125	13.4	57.5	C	918	3130

Please add finishing code at the end of the product code

Code example : TAL 0500078003 MRP

Fuel type i.e C: Central Heating  
E: Electrical Heating  
D: Dual Heating (C+E)



A full range of made to order sizes available.

Please ask for details.

n = number of sections	10 bar
Max. working pressure	
Max. working temperature	95 °C
Connections	½"
Pipe centers	C1 50mm